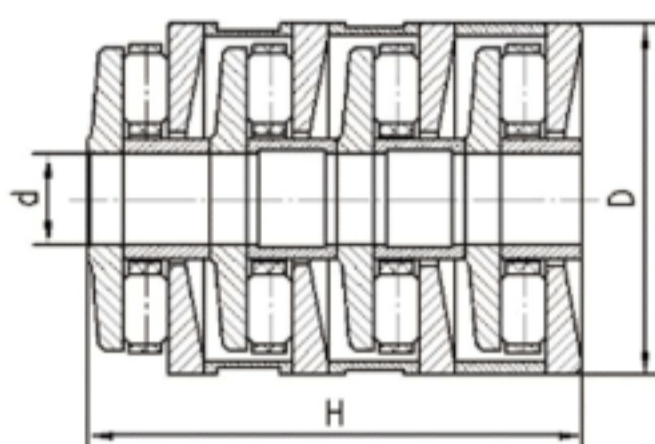


串列推力圆柱滚子轴承 (基本型)

TANDEM THRUST CYLINDRICAL ROLLER BEARING (BASIC TYPE)



外形尺寸(mm) Dimensions			列数 Rows	额定负荷(KN) Load rating		重量 Weight (kg)	轴承代号 Bearing designation	
d	D	H		Ca	Coa		新代号	旧代号
4	20	32	3	18	35	0.053	M3CT420	T3AR420
4	24	62	6	63	93	0.160	M6CT424	T6AR424
5	27	52	4	45	92	0.155	M4CT527	T4AR527
		78	6	62	137	0.236	M6CT527	T6AR527
	37	78	4	120	228		M4CT537	T4AR537
6	30	117	6	165	376		M6CT537	T6AR537
		88	6	74	191	0.321	M6CT630	T6AR630
		69	3	136	259		M3CT645	T3AR645
6	45	92	4	170	346		M4CT645	T4AR645
		183.5	8	292	693		M8CT645	T8AR645
		37	78	4	95	242	0.486	M4CT1037
12	42	41.5	2	70	157	0.320	M2CT1242	T2AR1242
		62.5	3	97	235	0.463	M3CT1242	T3AR1242
		83.5	4	122	313	0.640	M4CT1242	T4AR1242
		104.6	5	145	391	0.797	M5CT1242	T5AR1242
		125.5	6	156	470	0.934	M6CT1242	T6AR1242
18	58	126	5	252	765	1.787	M5CT1858	T5AR1858
		60	4	229	680	1.620	M4CT1860	T4AR1860
		72	6	562	1829	3.510	M6CT1872	T6AR1872
		80	7	630	2474	6.830	M7CT1880	T7AR1880
		100	8	1183	4378	13.030	M8CT18100	T8AR18100
19	49	88.5	4	198	532	0.902	M4CT1949Y	T4AR1949Y
		134.5	6	201	602	1.17	M6CT1949	T6AR1949
20	47	98	5	142	432	0.834	M5CT2047	T5AR2047
		60	4	227	680	1.620	M4CT2060	T4AR2060
22	62	110	5	273	967	1.78	M5CT2262	T5AR2262
		132	6	314	1160	2.1	M6CT2262	T6AR2262
	64	101	4	229	774	1.700	M4CT2264	T4AR2264
		128.5	5	270	967	2.130	M5CT2264	T5AR2264
		153	6	312	1160	2.550	M6CT2264	T6AR2264

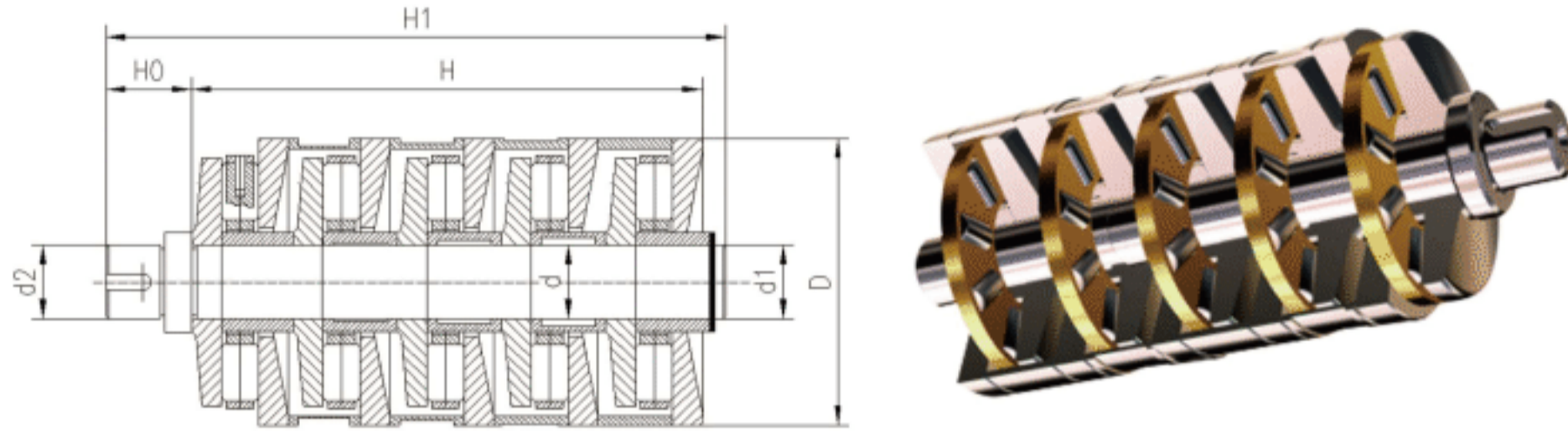
串列推力圆柱滚子轴承 (基本型) 续表

TANDEM THRUST CYLINDRICAL ROLLER BEARING (BASIC TYPE) CONTINUATION TABLE

外形尺寸(mm) Dimensions			列数 Rows	额定负荷(KN) Load rating		重量 Weight (kg)	轴承代号 Bearing designation	
d	D	H		Ca	Coa		新代号	旧代号
23	62	131	5	273	967	2	M5CT2362	T5AR2362
	85	127.5	4	480	1650	4.5	M4CT2385	T4AR2385
	90	210	6	721	2544	7.75	M6CT2390	T6AR2390
24	68	70	3	193	699	1.400	M3CT2468	T3AR2468
		118	5	287	1164	2.32	M5CT2468	T5AR2468
25	77	134	5	350	1387	3.48	M5CT2577	T5AR2577
28	66	82	3	211	599	1.054	M3CT2866	T3AR2866
		107.5	4	265	798	1.74	M4CT2866	T4AR2866
28	76	135	5	461	1372	3.199	M5CT2876	T5AR2876
29	90	98	3	383	1378	3.480	M3CT2990	T3AR2990
30	68	100	4	261	798	1.790	M4CT3068	T4AR3068
30	73	89	3	219	649	2.050	M3CT3073	T3AR3073
		120	4	273	865	2.740	M4CT3073	T4AR3073
		151	5	325	1081	3.420	M5CT3073	T5AR3073
		182	6	375	1297	3.720	M6CT3073	T6AR3073
		75	4	273	865	2.290	M4CT3075	T4AR3075
		100	4	590	2134	6.580	M4CT30100	T4AR30100
32	78	127	6	1395	4908	21.70	M6CT30127	T6AR30127
		84	3	296	839	1.930	M3CT3278	T3AR3278
		110.5	4	371	1118	2.580	M4CT3278	T4AR3278
		137	5	441	1397	3.22	M5CT3278	T5AR3278
		163.5	6	508	1677	3.88	M6CT3278	T6AR3278
33	105	112	3	561	1913	5.330	M3CT33105	T3AR33105
		150.5	4	720	2550	7.110	M4CT33105	T4AR33105
34	95	130	4	443	1696	5.166	M4CT3495	T4AR3495
		163	5	528	2121	6.43	M5CT3495	T5AR3495
38	150	163	3	1124	3884	16.28	M3CT38150	T3AR38150
		214.5	4	1261	4743	21.70	M4CT38150	T4AR38150
		160	6	2060	8100	40.8	M6CT38160	T6AR38160
40	110	123	3	557	2081	6.260	M3CT40110	T3AR40110
		164	4	696	2775	8.350	M4CT40110	T4AR40110
		127	4	960	3873	13.30	M4CT40127	T4AR40127
50	160	167	3	1133	4440		M3CT50160	T3AR50160
85	290	580	6	6814	32998		M6CT85290	T6AR85290
120	360	900.5	8	10444	52927		M8CT120360	T8AR120360
	465	985	8	14400	65600		M8CT120456	T8AR120456
140	360	424	4	8400	36200		M4CT140360	T4AR140360

串列推力圆柱滚子轴承 (带轴型)

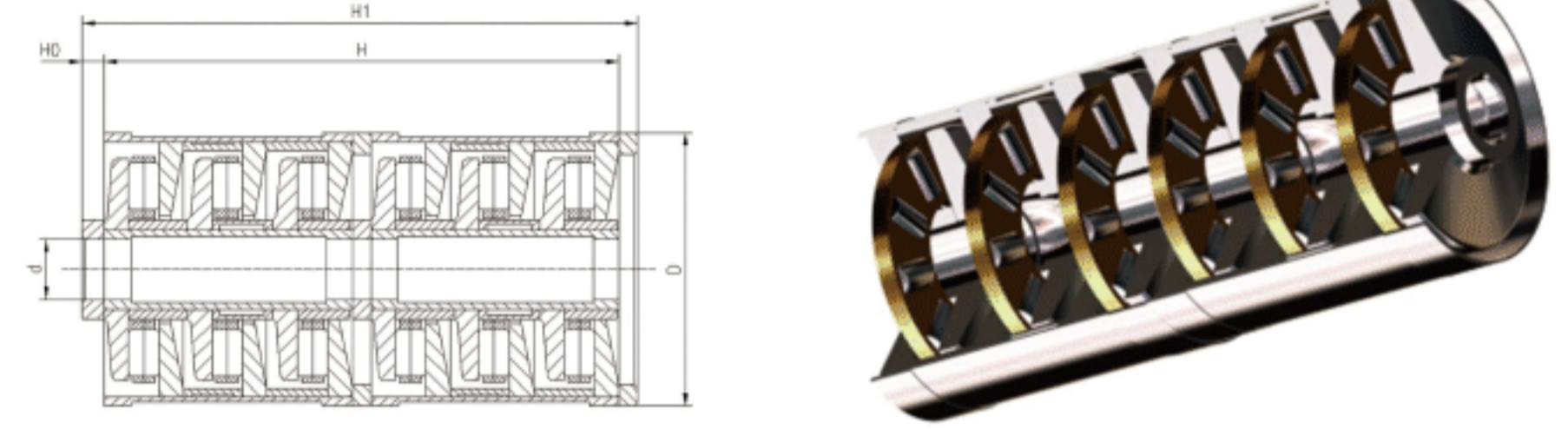
TANDEM THRUST CYLINDRICAL ROLLER BEARING (WITH SHAFT TYPE)



外形尺寸(mm) Dimensions							列数 Rows	额定负荷(KN) Load rating		重量 Weight (kg)	轴承代号 Bearing designation	
d	D	H	H0	H1	d1	d2		Ca	Coa		新代号	旧代号
4	24	62	9	71.5	4	6	6	63	93	0.168	M6CT424A	T6AR424A
10	37	79	19	102	10	10	4	95	242	0.550	M4CT1037A	T4AR1037A
12	42	104.6	26	133	12	12	5	145	391	0.925	M5CT1242A	T5AR1242A
22	64	102.5	30	136	22	22	4	227	677	2.473	M4CT2264A	T4AR2264A
		128.5	30	162	22	22	5	270	839	2.550	M5CT2264A	T5AR2264A
23	62	105	55	165	22	22	4	176	652	2.14	M4CT2362A	T4AR2362A
24	68	118	33	156	24	24	5	379	1188	2.92	M5CT2468A	T5AR2468A
		70	31	118	20	22	3	189	310	1.750	M3CT2468A	T3AR2468A
28	66	107.5	22.5	137.5	17	38	4	361	840	2.37	M4CT2866A	T4AR2866A
28	76	135	75	211	28	35	5	443	1398	4.73	M5CT2876A	T5AR2876A
30	73	153	33	190	30	30	5	293	1045	4.100	M5CT3073A	T5AR3073A
32	78	110.5	40	195	30	20	4	363	1077	3.83	M4CT3278A	T4AR3278A
34	95	130	68	212	34	35	4	426	1672	6.850	M4CT3495A	T4AR3495A

串列推力圆柱滚子轴承 (套筒型)

TANDEM THRUST CYLINDRICAL ROLLER BEARING (SLEEVE TYPE)



外形尺寸(mm) Dimensions					列数 Rows	额定负荷(KN) Load rating		重量 Weight (kg)	轴承代号 Bearing designation	
d	D	H	H0	H1		Ca	Coa		新代号	旧代号
22	70	172	5	182	6	580	1320	2.847	M6CT2270A2Y2	T6AR2270A2Y2
23	90	199.25	5.25	209.75	6	721	2544	7.42	M6CT2390A2Y	T6AR2390A2Y
25	105	234	6.5	247	6	910	3100	11.84	M6CT25105A2	T6AR25105A2
25	105	310	5	320	8	1208	5223	17.3	M8CT25105A2	T8AR25105A2
30	127	272	8	288	6	1395	4908	21.7	M6CT30127A2	T6AR30127A2
30	127	372.3	8	388.3	8	1700	6100	23.6	M8CT30127A2	T8AR30127A2
43	158	277.65	/	/	6	1840	7020	33	M6CT43158A2	T6AR43158A2
38	160	340	10	360	6	2060	8100	40.8	M6CT38160A2	T6AR38160A2

大型串列推力圆柱滚子轴承

LARGE TANDEM THRUST CYLINDRICAL ROLLER BEARING



外形尺寸(mm) Dimensions			列数 Rows	额定负荷(KN) Load rating		轴承代号 Bearing designation	
d	D	H		Ca	Coa	新代号	旧代号
320	635	560	3	14733	67860	M3CT320635	T3AR320635
350	750	854	4	27000	118000	M4CT350750	T4AR350750
380	810	479	2	17364	80980	M4CT350750	T4AR350750
420	900	768	3	29000	126000	M3CT420900	T3AR420900
431.8	863	449.275	2	17180	88560	M2CT431863	T2AR431863